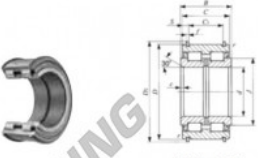


Needle roller bearing NAS5052-ZZ-NR-IKO - NAS5052-ZZ-NR-IKO

<https://www.123bearing.ca/bearing-housing/needle-roller-bearing/needle/nas5052-zz-nr-iko>

IKO
ROLLER BEARINGS
Roller Bearings for Sheaves



Shaft dia. mm	Identification number		Mass (Ref.) kg	Boundary dimensions mm						
	Sealed type	Shield type		d	D	D ₂	B	C	C ₁	S
260		NAS 5052ZZNR	85.0	260	400	416	190	189	154	17.5

f	c	r _s mm	J	Basic dynamic load rating	Static load rating	Allowable rotational speed
				C	C ₀	(*)
7	5	2	312	2 130 000	4 510 000	350

Notes(*) Minimum allowable value of chamfer dimension r
(*) Allowable rotational speed applies to grease lubrication. Considering that the axial load acts under practical operating conditions, up to 1/10 of this value is recommended for actual use.
Remarks: 1. The NAG and NAU series with a bore diameter, d, of 17 mm or less have no oil hole. In others, the outer ring has an oil groove and two oil holes.
2. The bearings with seals are provided with prepacked grease.

PRODUCT FEATURES

Brand	IKO
N° Ean13	3663952387246
Inside diameter	260 mm
Outside diameter	400 mm
Thickness	190 mm
Packaging	1

contact@123bearing.ca

+1(646) 712 9672

CRT4 de Lesquin 60 Rue Du Haut De Sainghin 59273 Fretin FRANCE