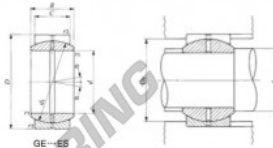


GE Rod end GE200ES-IKO - GE200ES-IKO

<https://www.123bearing.ca/bearing-housing/rod-end/ge/ge200es-iko>

IKO
SPHERICAL BUSHINGS
Steel-on-steel Spherical Bushings



Shaft dia. mm	Identification number		Mass (Ref.) kg	Boundary dimensions mm						Permissible tilting angle degree		
	Without seals	With seals		d	D	B	C	d _s	r ₁ (1)	r ₂ (1)	α	α ₁
200	GE 200ES		26,1	200	290	130	100	250	1,1	1,1	7	6
Mounting dimensions mm		Dynamic load capacity C _d N	Static load capacity C _s N	d _s		D _s						
Min.	Max.(2)			Min.	Max.	Min.	Max.					
207	213,5	283	244	2 450 000								

Notes(1) Minimum allowable value of chamfer dimensions r₁ and r₂.
(2) When Spherical Bushings are used with full tilting angle, the shaft shoulder dimension must be less than the maximum value of d_s.
Remark1. The inner ring and the outer ring have an oil groove and two oil holes, respectively.
2. Not provided with prepacked grease. Perform proper lubrication for use.

PRODUCT FEATURES

Brand	IKO
N° Ean13	3663952392073
Inside diameter	200 mm
Outside diameter	290 mm
Thickness	130 mm
Type	GE
Lubrication	without
Packaging	1

contact@123bearing.ca

+1(646) 712 9672

CRT4 de Lesquin 60 Rue Du Haut De Sainghin 59273 Fretin FRANCE