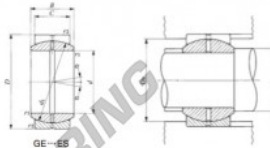


## GE Rod end GE110ES-IKO - GE110ES-IKO

<https://www.123bearing.ca/bearing-housing/rod-end/ge/ge110es-iko>

**IKO**  
**SPHERICAL BUSHINGS**  
Steel-on-steel Spherical Bushings



Shaft dia. mm	Identification number		Mass (Ref.) kg	Boundary dimensions mm						Permissible tilting angle degree		
	Without seals	With seals		d	D	B	C	d <sub>s</sub>	r <sub>1</sub> <sup>(1)</sup>	r <sub>2</sub> <sup>(1)</sup>	α	α <sub>1</sub>
<b>110</b>	<b>GE 110ES</b>		4.94	110	160	70	55	140	1	1	6	4
Mounting dimensions mm		Dynamic load capacity C <sub>d</sub> N	Static load capacity C <sub>s</sub> N	d <sub>s</sub>		D <sub>s</sub>						
Min.	Max. <sup>(2)</sup>			Max.	Min.	Max.	Min.	Max.				
115.5	121	154.5	138	755 000								

Notes<sup>(1)</sup> Minimum allowable value of chamfer dimensions r<sub>1</sub> and r<sub>2</sub>.  
<sup>(2)</sup> When Spherical Bushings are used with full tilting angle, the shaft shoulder dimension must be less than the maximum value of d<sub>s</sub>.  
Remark: 1. The inner ring and the outer ring have an oil groove and two oil holes, respectively.  
2. Not provided with prepacked grease. Perform proper lubrication for use.

### PRODUCT FEATURES

Brand	IKO
N° Ean13	3663952393773
Inside diameter	110 mm
Outside diameter	160 mm
Thickness	70 mm
Type	GE
Lubrication	without
Packaging	1

[contact@123bearing.ca](mailto:contact@123bearing.ca)

+1(646) 712 9672

CRT4 de Lesquin 60 Rue Du Haut De Sainghin 59273 Fretin FRANCE