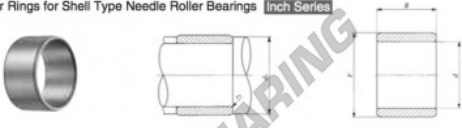


Inner ring IRB106-IKO - IRB106-IKO

<https://www.123bearing.ca/bearing-housing/needle-roller-bearing/inner-ring/irb106-iko>

IKO
INNER RINGS
Inner Rings for Shell Type Needle Roller Bearings **Inch Series**



Shaft dia. mm (inch)	Identification number	Mass (ref.) g	Boundary dimensions mm (inch)			Standard mounting dimensions mm (inch)			Assembled bearings		
			d	F	B	d_s	r_{max}	BA--Z (BAM)	BHA--Z (BHAM)	YS YBH	
15.875 ($\frac{5}{8}$)	IRB 106	14.5	15.875 ($\frac{5}{8}$)	22.225 ($\frac{7}{8}$)	9.90	20.7	21.2	0.6	BA 146Z	—	—

Note⁽¹⁾ Minimum allowable value of chamfer dimension r
Remark No oil hole is provided.

PRODUCT FEATURES

Brand	IKO
N° Ean13	3663952411934
Inside diameter	15.875 mm
Outside diameter	22.225 mm
Thickness	9.9 mm
Packaging	1

contact@123bearing.ca

+1(646) 712 9672

CRT4 de Lesquin 60 Rue Du Haut De Sainghin 59273 Fretin FRANCE