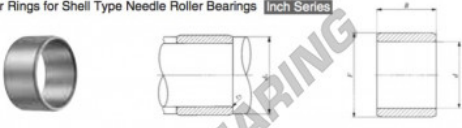


Inner ring IRB612-1-IKO - IRB612-1-IKO

<https://www.123bearing.ca/bearing-housing/needle-roller-bearing/inner-ring/irb612-1-iko>

IKO
INNER RINGS
Inner Rings for Shell Type Needle Roller Bearings **Inch Series**



Shaft dia. mm (inch)	Identification number	Max (Ref.) g	Boundary dimensions mm (inch)			Standard mounting dimensions mm (inch)			Assembled bearings		
			d	F	B	d _s Min. Max.	r _{max} Max.	BA--Z (BAM)	BHA--Z (BHAM)	YS YBH	
9.525 ($\frac{3}{8}$)	IRB 612-1	18.8	9.525 \pm _{0.005}	15.875 \pm _{0.005}	19.43	12.8 14	0.3	BA 1012Z	BHA 1012Z	YB 1012	

Note⁽¹⁾ Minimum allowable value of chamfer dimension r
Remark No oil hole is provided.

PRODUCT FEATURES

Brand	IKO
N° Ean13	3663952416656
Inside diameter	9.525 mm
Outside diameter	15.875 mm
Thickness	19.43 mm
Packaging	1

contact@123bearing.ca

+1(646) 712 9672

CRT4 de Lesquin 60 Rue Du Haut De Sainghin 59273 Fretin FRANCE