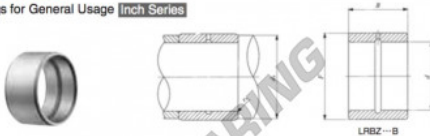


Inner ring LRBZ485632-B-IKO - LRBZ485632-B-IKO

<https://www.123bearing.ca/bearing-housing/needle-roller-bearing/inner-ring/lrbz485632-b-iko>

IKO
INNER RINGS
Inner Rings for General Usage Inch Series



Shaft dia. mm (inch)	Identification number		Mass (Ref.) g	Boundary dimensions mm(inch)				Standard mounting dimensions mm ^(*)		
				<i>d</i>	<i>F</i>	<i>B</i>	<i>d</i> _s Min.	<i>d</i> _s Max.	<i>r</i> _{as} Max.	
76.200 (3)	—	LRBZ 485632 B	640	76.200 (3)	88.900 (3) ^{1/2}	51.050	83.5	86	1.5	
Assembled bearings										
BR 567232UU										

Note(*) Maximum allowable fillet corner radius of shaft.
Remark: LRBZ has no oil hole. LRB and LRBZ - B are provided with an oil groove and an oil hole.

PRODUCT FEATURES

Brand	IKO
N° Ean13	3663952421070
Inside diameter	76.2 mm
Outside diameter	88.9 mm
Thickness	51.05 mm
Packaging	1

contact@123bearing.ca

+1(646) 712 9672

CRT4 de Lesquin 60 Rue Du Haut De Sainghin 59273 Fretin FRANCE