


SI Rod end SIZJL9-DURBAL - DSIZJL9-DURBAL

<https://www.123bearing.ca/bearing-housing/rod-end/si/dsizj9-durbal>

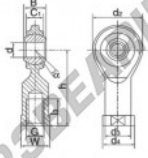
SIZJL9



female thread:
lubrication
required,
similar to
DIN ISO 12240-4,
series K,
measurement in
inches



Description: DIN ISO rod end K series. Dimensions in inch. Sliding combination steel / steel.
Size: 9 with grease nipple can be mounted upon request.



Rod end body:
surface zinc plated

Sliding combination:
steel / steel

Inner ring:
bearing steel, hardened, ground and spherical surface chromium plated

Outer ring:
rod end body pressed around inner ring

Lubrication:
lubrication required

order number		measurement [mm]						
right hand thread	left hand thread	d	B	C ₁	d ₂	G	d ₃	d ₄
SIZJL 9		9,53	12,70	9,12	25,40	3/8 - 24	13,89	17,45

type		measurement [mm]					load rating	weight
inches	h ₁ min	W	h	α [°]	C ₀ [kN]	[kg]		
SIZJ / SIZJL 9	3 / 8"	19,05	14,27	41,28	11,0	16,0	0,059	

PRODUCT FEATURES

Brand	DURBAL
N° Ean13	3663952496788
Inside diameter	9.53 mm
Outside diameter	25.4 mm
Thickness	12.7 mm
Type	SI
Weight	59 g
Thread	Left-hand thread
Lubrication	without
Packaging	1

contact@123bearing.ca

+1(646) 712 9672

CRT4 de Lesquin 60 Rue Du Haut De Sainghin 59273 Fretin FRANCE