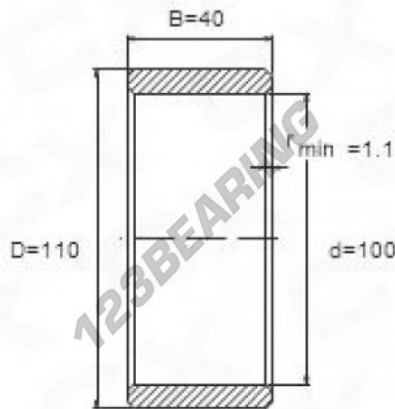


Inner ring IR100-110-40 - IR100-110-40

<https://www.123bearing.ca/bearing-housing/needle-roller-bearing/inner-ring/ir100-110-40>



PRODUCT FEATURES

Brand	GEN
Inside diameter	100 mm
Outside diameter	110 mm
Thickness	40 mm
Type	-
Weight	517 g
Packaging	-

contact@123bearing.ca

+1(646) 712 9672

CRT4 de Lesquin 60 Rue Du Haut De Sainghin 59273 Fretin FRANCE